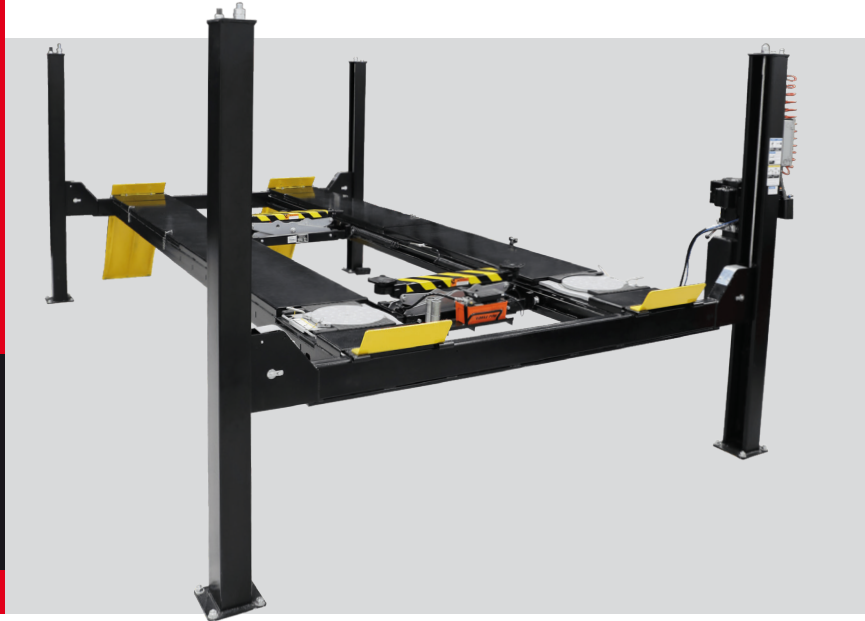


SERVICE BAY SPECIFICATIONS

- HEIGHT:** 12'6" MINIMUM
- WIDTH:** 17' RECOMMENDED
- DEPTH:** 24' RECOMMENDED
- POWER:** 230V, 1PH, 20A, 60HZ 2HP

CONCRETE:
4" thick, reinforced, free from cracks/seams, 3500+ psi & cured 28+ days

12K 4-POST ALIGNMENT LIFT



SPECIFICATIONS

12K 4-Post	EELR529APKG
Lifting Capacity	15,000 lbs. 6,804 kg
Max. Wheelbase General	183" 4646mm
Max. Wheelbase 2 Wheel	168 13/16" 4288mm
Max. Wheelbase 4 Wheel	158 1/2" 4026mm
Min. Wheelbase 4 Wheel	88 1/2" 2248mm
Overall Length	251 1/2" 6383mm
Overall Width	136 1/4" 3458mm
Lowered Runway Height	7 7/8" 187mm
Max. Lifting Height	78" 1981mm
Rise Time	74 seconds
Ramp Approach Angle	10°
Air Supply Requirements	90-120 PSI
Pneumatic Filtration Oil Type	Snap-on Air Tool oil or equivalent
Hydraulic Oil Capacity	2.6 gal 10L
Hydraulic Oil Type	ISO 32 (10 weight) hydraulic oil
Shipping Weight	3307 lbs. 1500 kg
Max. Operating Pressure	2900 psi 200 Bar
Min. Recommended Bay Size	12'x24'2" 3658x6400mm
Concrete Requirements	4" (101mm) thick, reinforced, free from cracks/seams, 3500+ psi (20.7MPa) & cured 28+ days - Anchor minimum embedment 3 3/8" (87mm)

SPECIFICATION (CONT.)

Bay Height Requirements	150" 3810mm
Bay Width Requirements	Optimum: 208" 5283mm Minimum: 168" 4267mm
Bay Depth Requirements	290" 7366mm

STANDARD ACCESSORIES

2 Jack Beam / w 2 - 3" and 2 - 6" stack adapters	EELS906A	
1 Pair Premium Turn Plate	EAK0289J06A	
2 Sets Rollback Paddles	EAK0277J28A	

JACK SPECIFICATION

EELS906A - 6,000 LBS. (2720KG)

Min. Arm Reach	35 7/16" 900mm
Max. Arm Reach	57 1/8" 1450mm
Min. Drive Over Height	1 13/16" 45.6mm
Min. Pad Height Arm Ext. Over Deck	2 9/16" 65mm
Min. Lowered Height	1" 25.6mm
Max. Raised Height	16 13/16" 426.6mm

MANUAL PART NUMBERS

Lift	EAZ0080V51A
Jack	EAZ0080V72A