

## SERVICE BAY SPECIFICATIONS

- HEIGHT:** 12'4"/14'4" MINIMUM
- WIDTH:** 14' RECOMMENDED
- DEPTH:** 28' RECOMMENDED
- POWER:** 208-230V, 1PH, 30A

**CONCRETE:**  
4" thick, reinforced, free from cracks/seams, 3500+ psi & cured 28+ days

# 10K 2-POST LIFT



EELR532A

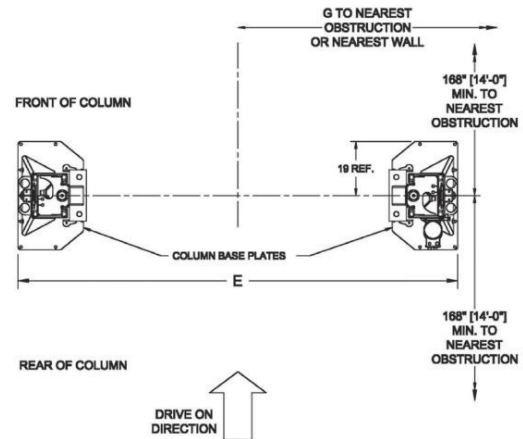
## SPECIFICATIONS

10k   10k Extended Height	EELR532A	EELR532A w/2' ext.
Lifting Capacity	10,000 lbs.   4,536 kg	
Lift Configuration	Symmetric/Asymmetric	
Arm Configuration	3-Stage Front & 2-Stage Rear	
Ceiling Height Required	149"-173"   3785-3809mm	
Rise Height	77¾"   2000mm (w/stack adapters)	
Overall Height Options	137½" / 147½" 3494 / 3748mm	161½" / 171½" 4104 / 4358mm
Overall Width Options	131¾"   3347mm	
Floor to Overhead Switch	140½" / 130½" 3568 / 3314mm	164½" / 154½" 4178 / 3924mm
Arm Reach	Short Arm: 21¾"-39¾"   553-998mm Long Arm: 38¾"-55¾"   971-1407mm	
Screw Pad Height	4¼"-6¼"   109-199mm	
Between Columns	110¼"   2800mm	
Drive-Thru Clearance	98¾"   2499mm	
Rise Time	40 seconds	
Min. Ceiling Height Req.	149"/173"   3785/3809mm	

## MANUAL PART NUMBERS

Lift EELR532A-IOM-A

## SERVICE BAY LAYOUT



## COMPATIBLE ACCESSORIES

Stack Adapter Kit	10315	
Electric Vehicle Footpad	EVFPK	
Heavy-Duty Footpad 12K	B12162S-12	
Standard Footpad	B2270	
GM® Truck Footpad Set	B2280PR	
Cab-Off Adapter	B2290	
Wheel Service Workstation	B99700	
Air/Electric Workstation	B10264A	